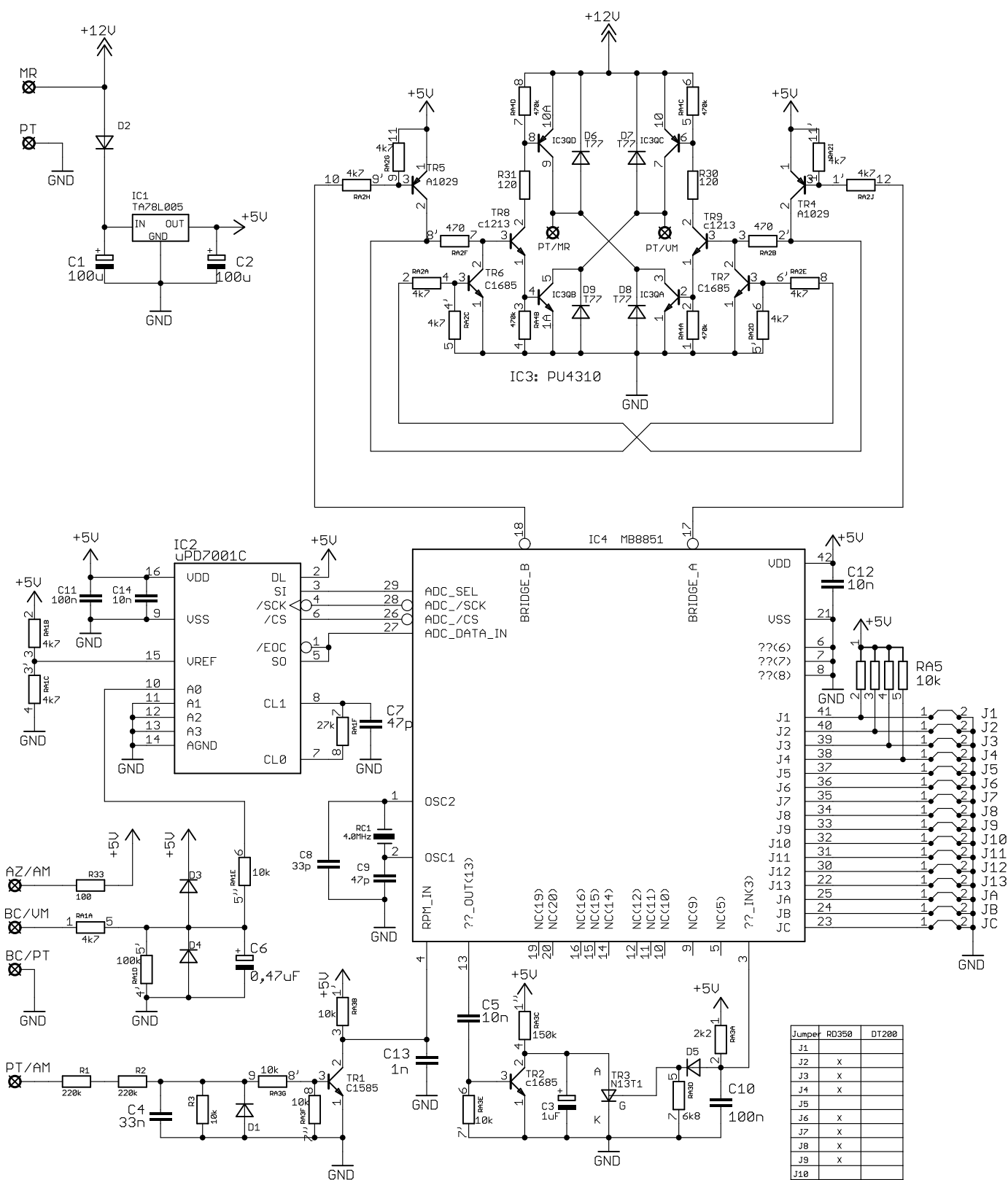


Yamaha RD350 YPUS
RevEng by danjovic@hotmail.com

Rev 1.1 - Corrigida ligacao resistores pullup da ponte de saida (RA4C e RA4D)



Jumpers	RD350	DT200
J1		
J2	X	
J3	X	
J4	X	
J5		
J6	X	
J7	X	
J8	X	
J9	X	
J10		
J11	X	
J12	X	
J13	X	
JA	X	
JB		
JC		

X=Ligado